

TA184 Series

Dual Output Temperature/Acceleration, Side Exit Connector/Cable,
100 mV/g, 10 mV/°C

SECTION 1 - VIBRATION SENSORS
Dual Output Accelerometers



Actual Product Size Shown



M8 Captive Bolt

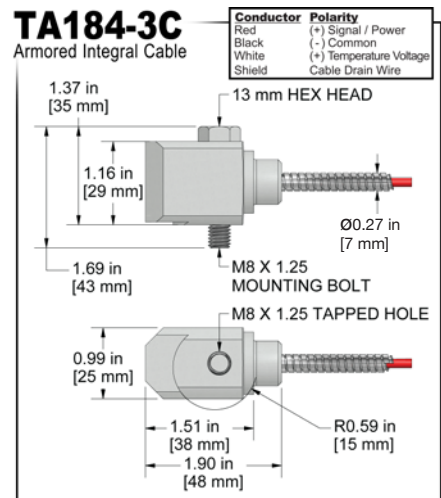
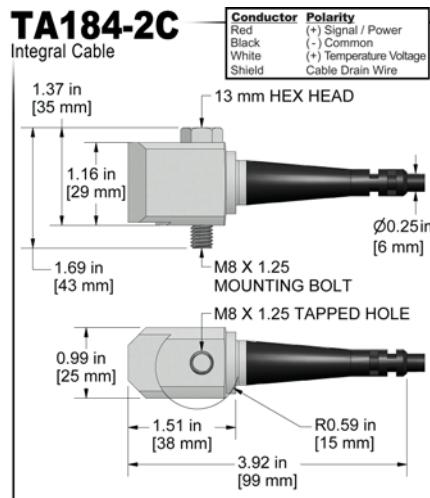
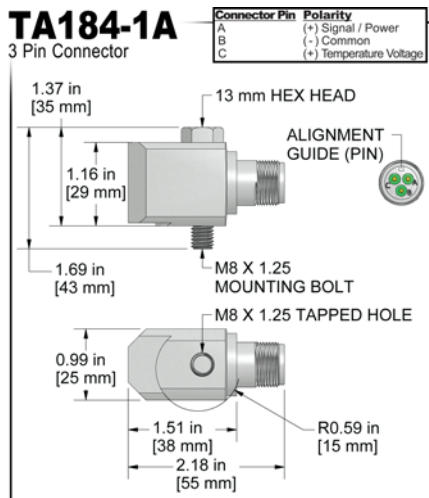
Requires **Multi-Conductor Cable**

Product Features

Temperature/Vibration Sensors

10 mV/°C

- Standard 3 Pin MIL Connection
- High Performance in a Low Cost Sensor
- Requires Multi-Conductor Cable and Dual IEPE Power



Specifications	Standard	Metric
Part Number	TA184	
Sensitivity (±10%)	100 mV/g	
Frequency Response (±3dB)	30-900,000 CPM	0.5-15000 Hz
Frequency Response (±10%)	120-600,000 CPM	2.0-10000 Hz
Dynamic Range	± 50 g, peak	
Temperature Measurement Range	37° to 250° F	3° to 121° C
Temperature Output	10 mV/°C	
Electrical		
Settling Time	<2.5 seconds	
Voltage Source (IEPE)	18-30 VDC	
Constant Current Excitation	2-10 mA	
Spectral Noise @ 10 Hz	8 µg/√Hz	
Spectral Noise @ 100 Hz	.82 µg/√Hz	
Spectral Noise @ 1000 Hz	.3 µg/√Hz	
Output Impedance	<100 ohm	
Bias Output Voltage	10-14 VDC	
Case Isolation	>10 ⁸ ohm	

Specifications	Standard	Metric
Environmental		
Temperature Range	-40 to 250°F	-40 to 121°C
Maximum Shock Protection	5,000 g, peak	
Sealing	IP68	
Submersible Depth (TA184-2C/3C)	200 ft.	60 m
Physical		
Sensing Element	PZT Ceramic	
Sensing Structure	Shear Mode	
Weight	6.3 oz	180 grams
Case Material	316L Stainless Steel	
Mounting	M8	
Connector (non-integral)	3 Pin MIL-C-5015	
Resonant Frequency	1,380,000 CPM	23000 Hz
Mounting Torque	2 to 5 ft. lbs.	2,7 to 6,8 Nm
Mounting Hardware	M8 Captive Bolt	
Calibration Certificate	CA10	

Ordering Information

Metric	TA184-1A	TA184-2C - /	TA184-3C - /
	(M8x1 Captive Bolt)	(M8x1 Captive Bolt)	(M8x1 Captive Bolt)
		[] [] [] [] (length in feet) [] (termination)	[] [] [] [] [] [] [] [] (maximum armor length 100 ft.) [] [] [] [] (cable length in feet) [] (termination)

Cable Termination Options: L Z

Backed by our Unconditional Lifetime Warranty

www.ctconline.com

